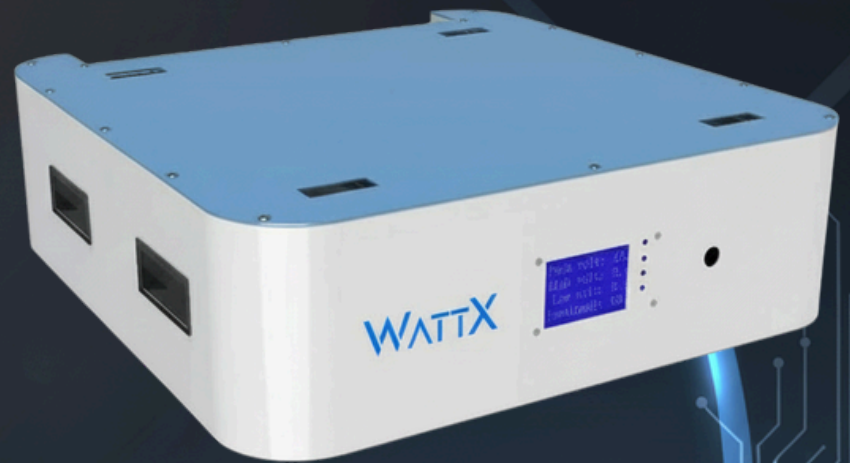


Stackable LFP Storage for reliable Grid & Solar Backup

WattX 51.2V, 100Ah
power : 5kW
capacity : 5-25 kWh

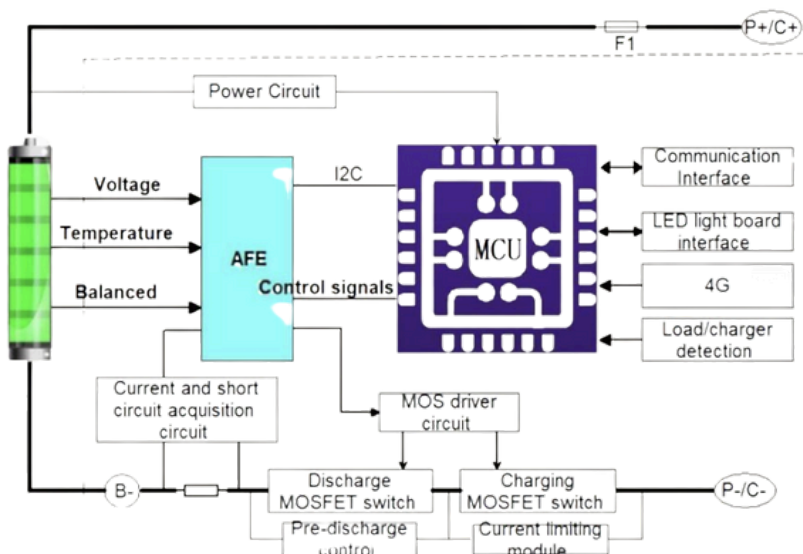


- Stackable upto 500Ah
- Solar compatible
- Lifespan upto 10 years
- Modular design
- Ultrafast commissioning
- Pack level safety protection
- Precise thermal runaway control
- High energy density



| Parameters | 48V/51.2V, 100Ah | 48V/51.2V, 200Ah | 48V/51.2V, 300Ah | Units |
|----------------------------------------|---------------------|------------------|------------------|--------|
| Nominal Voltage | 48/51.2 | | | V |
| Rated Capacity | 100 | 200 | 300 | Ah |
| Rated Energy | 4.8/5.12 | 9.6/10.24 | 14.4/15.36 | kWh |
| Usable Energy | 3.84/4.096 | 7.68/8.192 | 12.288 | V |
| Charging Voltage | 52.5/56 | | | V |
| Standard Charging current | 50 | 100 | 150 | A |
| Discharging Voltage(V) | 42/44 | | | V |
| Standard discharging current | 50 | 100 | 150 | A |
| Max discharge current | 100 | 200 | 300 | A |
| Operating Temperature | 0 - 45 | | | °C |
| Communication Protocol | RS485 & CAN | | | - |
| Cooling Method | Forced Air Cooling | | | - |
| Cycle Life at 25°C, 80% DOD, 0.5C/0.5C | > 4000 | | | cycles |
| Single Module configuration | 15S1P/16S1P | | | - |
| System Configuration | 1S1P | 1S2P | 1S3P | - |
| No. of Modules used | 1 | 2 | 3 | - |
| Dimension (L/W/H) | 470/484/135 | 470/484/300 | 470/484/450 | mm |
| Weight | 45 | 90 | 135 | Kg |
| BMS configuration | 16S100Amps, Modular | | | V |

BMS Architecture



Protections and other features

| Protections | Status |
|----------------------------|--------|
| Cell Over Voltage | Yes |
| Cell Under Voltage | Yes |
| Battery Pack Over Voltage | Yes |
| Battery Pack Under Voltage | Yes |
| Charging Over Current | Yes |
| Discharging Over Current | Yes |
| Over Temperature | Yes |
| Under temperature | Yes |
| Open Wire detection | Yes |
| Short Circuit Protection | Yes |
| Display | Yes |
| Pre charge Feature | Yes |
| Current Limiting | Yes |
| Battery Pack Under Voltage | Yes |

Product Information

The 48V/51.2V Energy Storage System (ESS) is a reliable and flexible power solution designed to meet the needs of modern homes. It integrates effortlessly with hybrid inverters and supports communication through RS485 and CAN for smooth and efficient operation & can communicate with any hybrid smart inverter. Whether it's providing backup power during outages or meeting specific energy demands, this ESS is built to adapt. Its modular design allows for easy capacity expansion upto 500Ah, ensuring it can grow with your requirements.

Disclaimer : All information provided by Ezinore Pvt. Ltd. is for reference only, subject to change, and offered without guarantee. While carefully prepared, Ezinore disclaims any liability for errors, omissions, or reliance on the content.

